

8

7

6

5

4

3

2

1

F

F

E

E

D

D

C

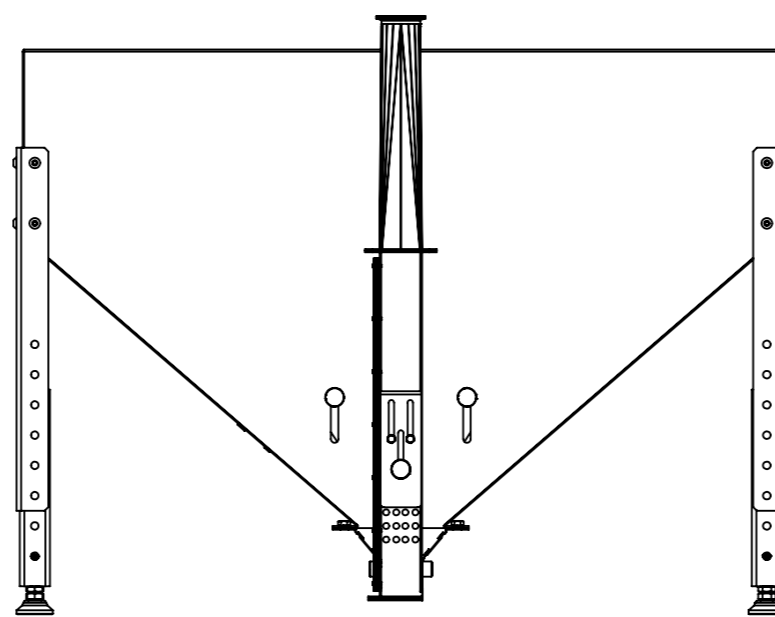
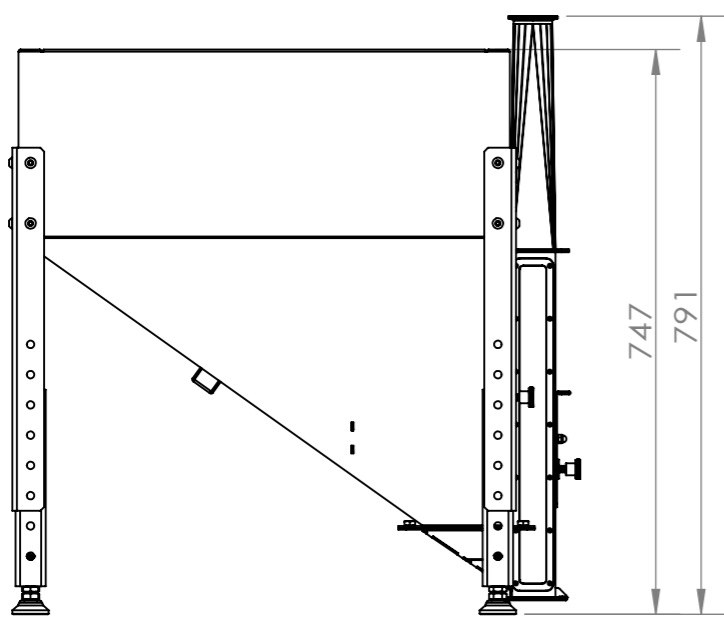
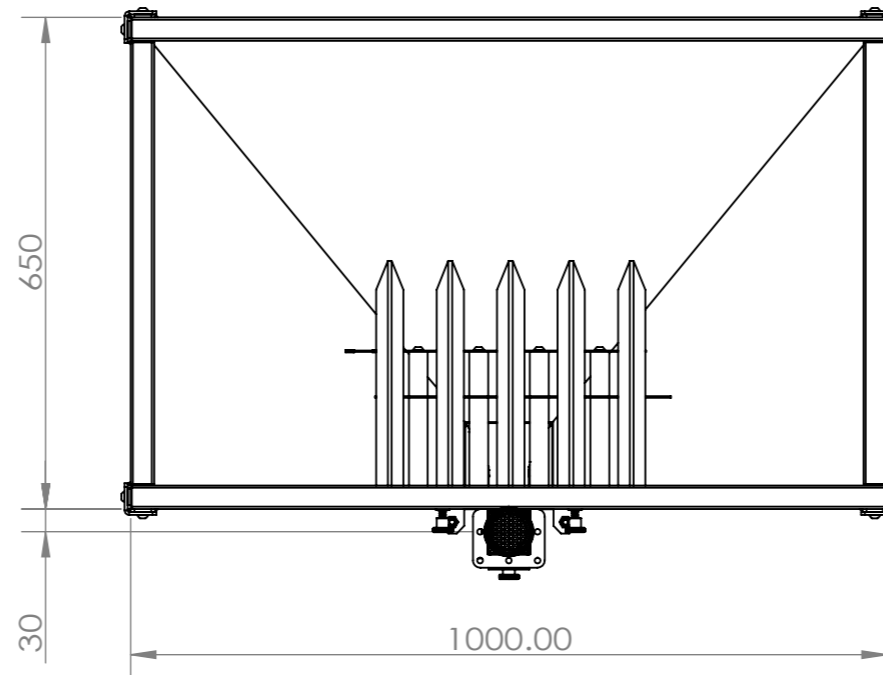
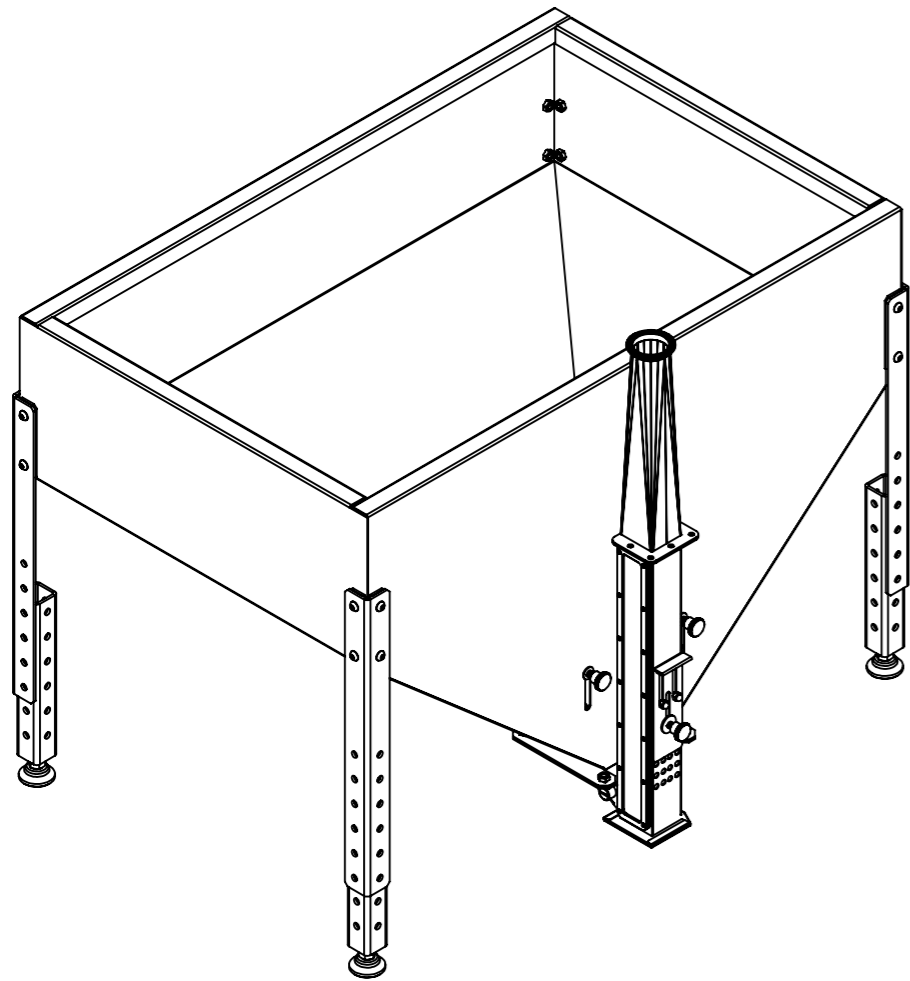
C

B

B

A

A



| | | | |
|--------------------------------------|------------|--------------|----------|
| <h1>SÖVDA</h1> | | | |
| Description Destoning Hopper 230L | | | |
| TITLE: SVD-00486 | | | A3 |
| WEIGHT: | SCALE:1:10 | SHEET 1 OF 1 | REVISION |

8

7

6

5

4

3

2

1